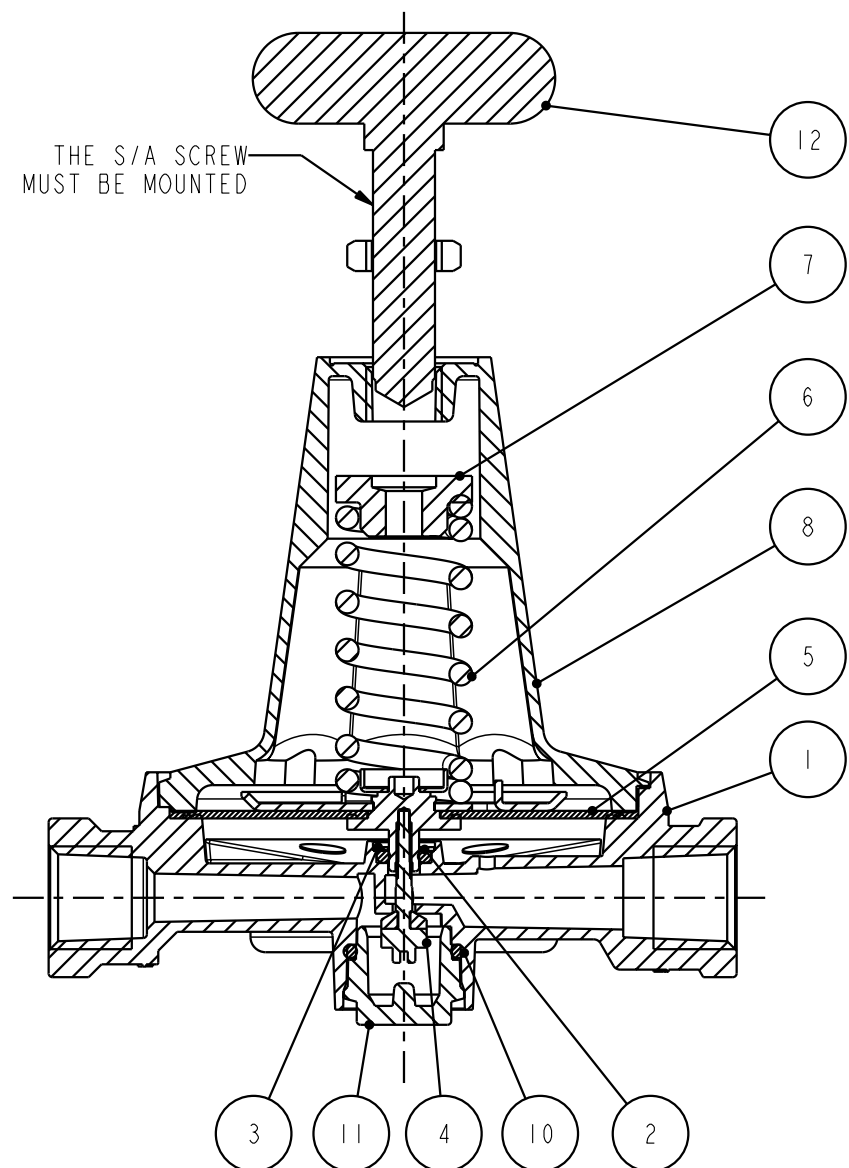


This drawing may not be copied or distributed in any way without the written permission of Cavagna Group Div. RE.CA. Via Matteotti, 5 - Calvisano - BS - Italy

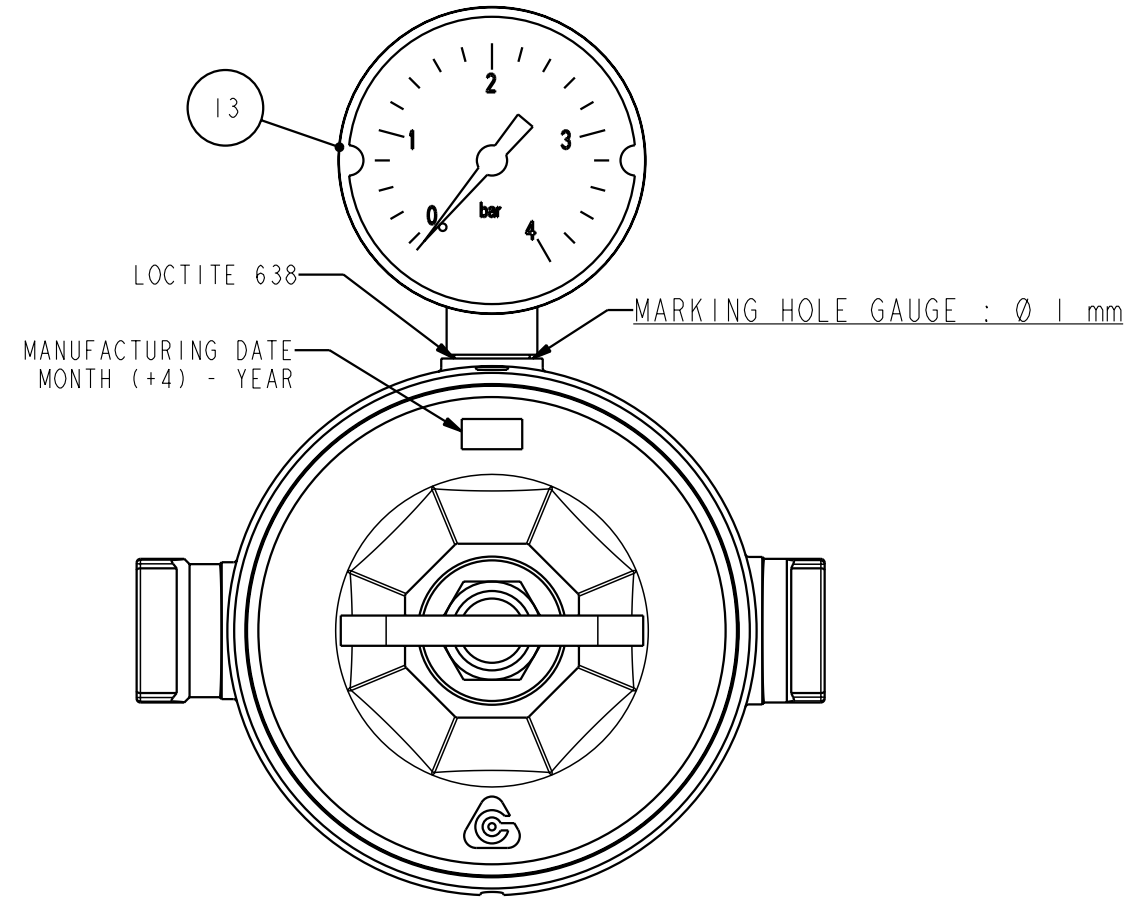


SINGLE BOX LABEL

**H.P. VARIABLE REGULATOR
TYPE 932 - L.P.G.
0.5-4 bar - 5-12 kg/h
INLET: 1/4" NPT fem.
OUTLET: 1/4" NPT fem.**

NAMEPLATE

**Type 932 L.P.G. p 0.7-16 bar
p_d 0.5-4 bar M_g 5-12 kg/h
G.18/H.11 - EN16129**



NO	NO PRODUCT	DENOMINATION	Q.TY
1	00-1-150-0105	SCATOLA MOD.93 (APZ) 1/4 NPT F - 1/4 NPT F	1
2	04-1-110-0529	O RING	1
3	15-1-110-0028	RONDELLA	1
4	03-1-950-0045	S/I PISTONCINO (MOD. 91)	1
5	09-1-950-0069	S/I MEMBRANA REG MOD 93 TIPO OARA APZ	1
6	07-1-110-0209	MOLLA REG.93 TIPO OARA APZ	1
7	08-1-110-0048	PREMIMOLLA	1
8	01-1-150-0167	COPERCHIO 93 TIPO OARA APZ - lavorato	1
9	24-1-110-0032	PAINT RED (RAL 3020)	1
10	04-1-110-0523	O RING	1
11	16-1-110-0307	TAPPO MOD.91	1
12	14-4-950-0001	S/A REGULATING WING NUT (RID. MOD 603)	1
13	50-1-110-0003	MANOMETRO PERNO RADIALE	1
14	34-1-310-0298	ADHESIVE LABEL FOR TYPE 932 (G.18/H.11)	1
15	34-1-110-1206	INSTRUCTION FOR TYPE 932 - EN16129 (EN)	1
16	23-1-210-0064	STANDARD SINGLE BOX	1
17	34-1-210-2963	SINGLE BOX LABEL FOR TYPE 932	1
18	23-1-510-0008	STANDARD BOX (R37)	1

	DENOMINATION		VARIABLE H.P. REGULATOR TYPE 932 (APZ)		LPG 0.5-4 bar 5-12 kg/h	
	RECA		N.A.		N.A.	
PERFORMANCE DOC.	MODEL	ORIFICE	INLET	OUTLET	SHARED	PROD. INT GROUP
93-001	932	3	1/4" NPT FEMALE	1/4" NPT FEMALE	N.A.	-
PROD. EVOLUTION	COUNTRY	COUNTRY SPECIFIC	WEIGHT	SCALE	MODIFY FILE	PRODUCT NO
DEFINITIVE	ISRAELE	EN16129	-	1:1	DM05417	93-1-290-0019
	PROJECT NO	RELEASE LEVEL	DRAWN BY	VERIFIED BY	APPROVED BY	DATE
	DS05037	APPROVED+	RUSSO R.	TOMASELLI L.	SCHLICK B.	29/01/16